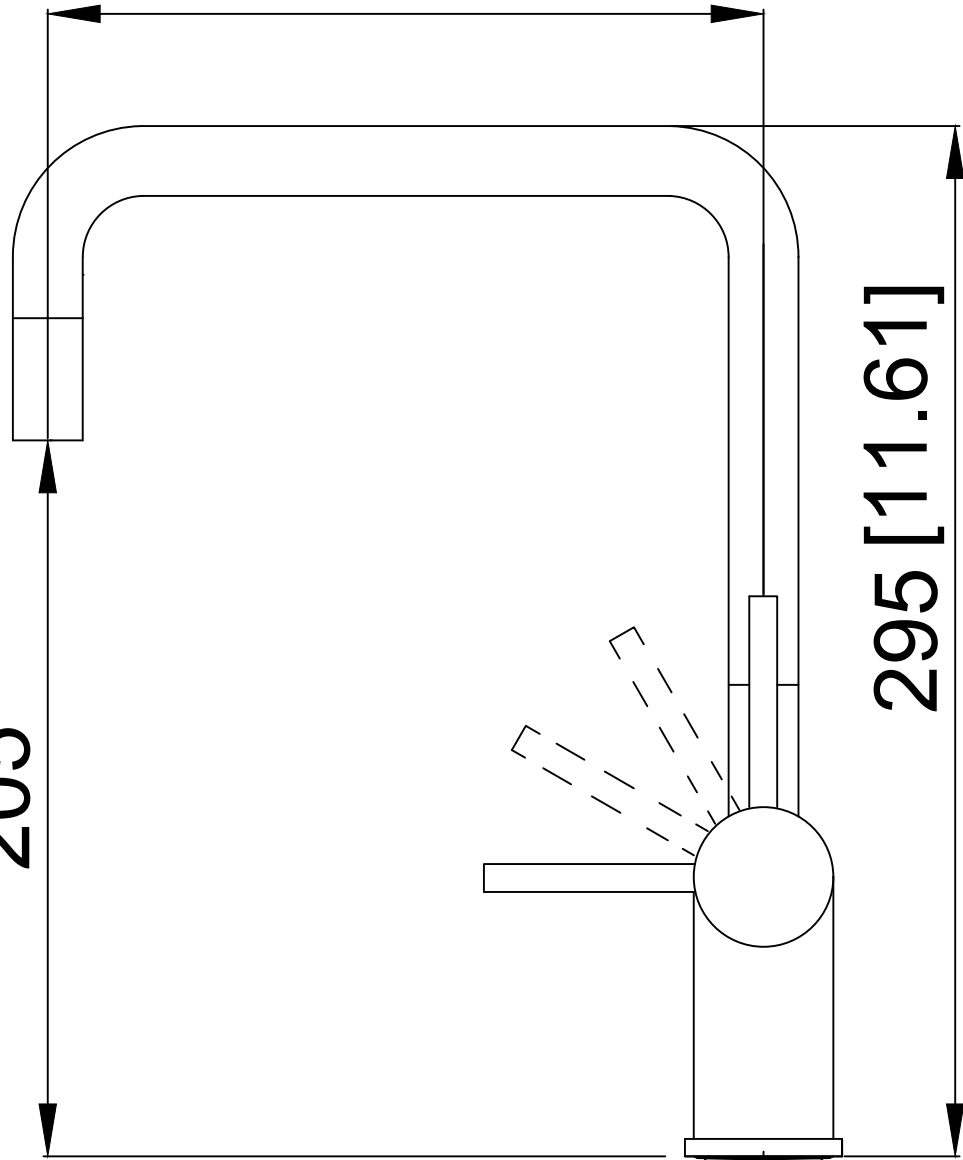
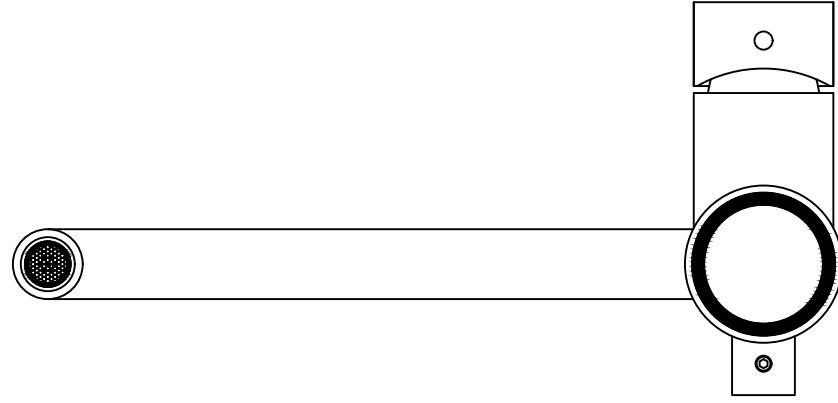


[8.07]  
205



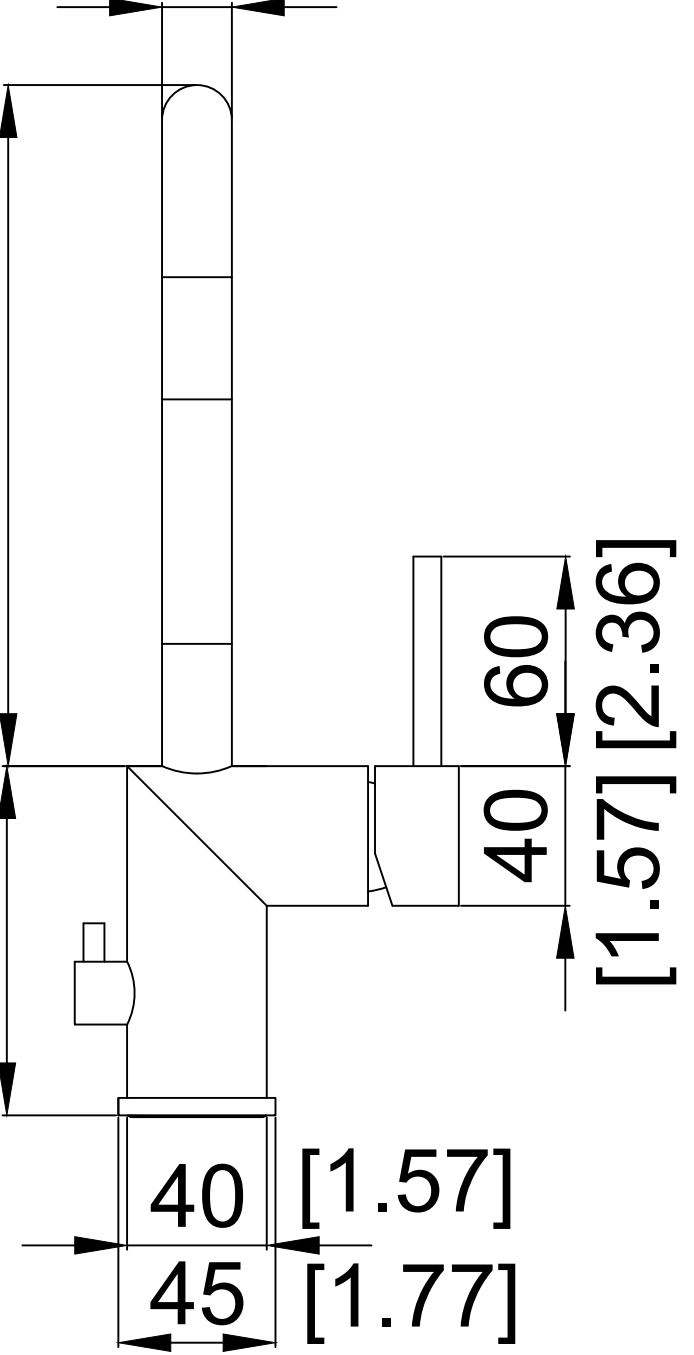
[8.07]  
205

295 [11.61]



100 [3.93]

195 [7.67]



[0.78]

20

[inch]

mm

60

40

[1.57] [2.36]

40

[1.57]

45

[1.77]